

Specification

Input Voltage	100 - 240Vac +/-10%
Input Frequency	50 - 60Hz
Output Voltage	
Fast Charge (AGM)	DC 28.8V (+/- 0.2V)
Float Charge (AGM)	DC 27.0V (+/-0.2V)
Charging Current	
Fast Charge	DC 2000mA +/- 5%
Float Charge	<DC 500mA
Over Voltage Protection	DC 31V Max.
Over Current Protection	DC 2.5A Max.
Leakage Current	0.75mA Max.
Input Power	3.5 W
Input Standby Power	<1.0 W
Efficiency	>85% @ Full Load
Battery Charging Capacity	7 - 22 Amp Hours
Output Cord	2m long, SJT type (Hard Usage) with XLR 3-pin Male Connector
Dielectric Withstand Voltage	AC 3.0KV for 1 min. @ 10mA leakage
Insulation Resistance	50Mohm Min. at 500Vdc between Primary and Secondary
Operation Temperature	-13°F/-25°C to + 122°F/50°C
Storage Temperature	-13°F/-25°C to + 140°F/60°C
Safety Standards	The charger shall meet the requirements of UL 1012 special purpose, ISO 7176 -14, ISO 7176 - 21, ISO 7176 - 25, off-board IPX 1, RESNA WC - 2, EN12184. Efficiency certified to DOE and CEC requirements per 10 CFR 430, subpart B, appendix Y.
Firmware Version	1.0.0
Part Revision Version	B



Due to continuous improvements to our products, product may vary slightly from depiction.

2 LEDs for Status Indication

1. Power LED (Clear Lens - Red Color)

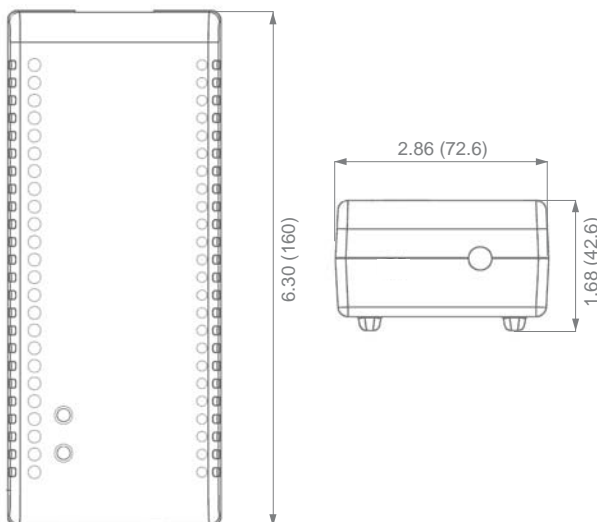
Description	LED
Power On	On
No AC Power	Off

2. Charging / Faults - LED (Clear Lens - Red / Green Color)

Charging - Description	Red LED	Green LED
No Battery/Full Charge (20 Hrs)	Off	Off
Bulk /Absorption Charge	On	Off
Float Charge	Off	Continuous Blinking
Maintenance Charge	Off	On Steady

INDICATION CHARGE/FAULT - Red LED		FAULT
1	Off	No batteries - Battery set < 9V
2	Continuous flashing	12 hr. charge timed out
3	1 flash every 3 sec.	Battery set < 14V
4	2 flashes every 3 sec.	Batteries are connected in reverse polarity
5	3 flashes every 3 sec.	Over voltage from batteries
6	4 flashes every 3 sec.	Over current from charger

Dimensions: inches (mm)



Features:

This charger is for AGM battery set.

For **AGM** batteries the charger provides Three Charge States. An integrated circuit monitors and controls both the output voltage and current of the charger through three separate charge states.

1. A *High Current Fast Charge State*: battery charges at 2000mA fast charge current rate until battery voltage of 28.8V is reached.
2. A *Topping Charge State*: battery charges at 28.8V constant voltage and current begins to taper until current is less than 500mA.
3. A *Precision Float Charge State*: the charger changes to the float state and holds the battery voltage at 27.0V.

Note: To meet the mandate of DOE, this charger turns off after 20 hours of continuous operation. For battery maintenance this battery is equipped with "Auto-Restart" that will start the charge cycle again when battery voltage drops to 25.3VDC.

Protections:

- Short Circuit Protection
- Over Current Protection
- Over Voltage Protection
- Battery Polarity Reversal

