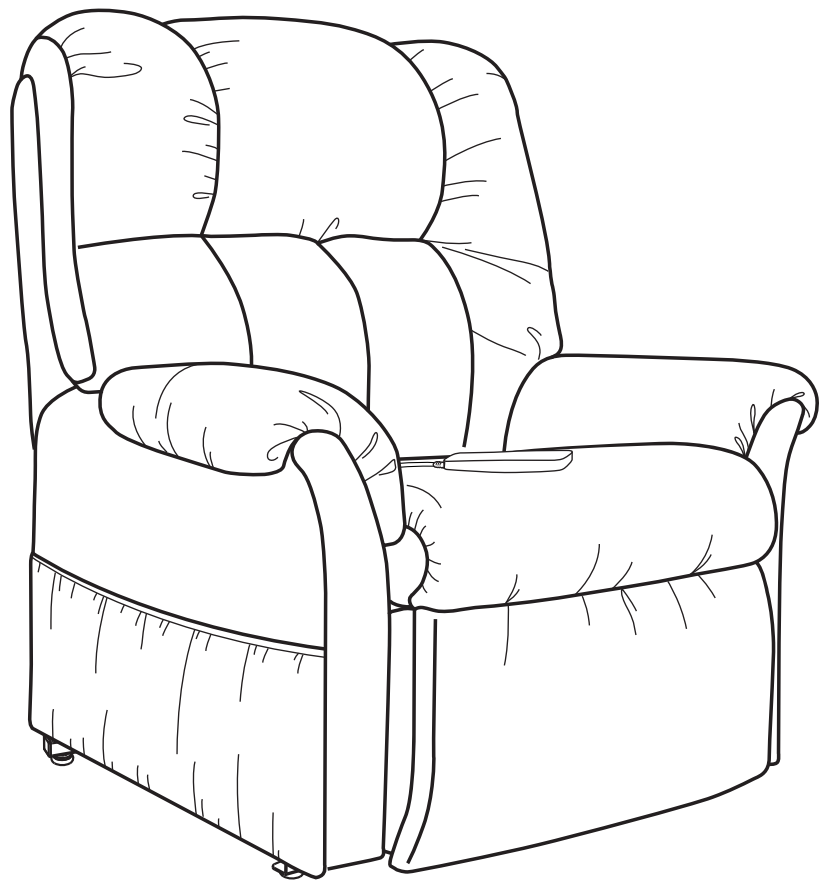


# *Viva* LIFT!™

## POWER RECLINERS

By Pride® Mobility Products Corp.

*Elevate Your Lifestyle!*



**NOTE:** This quick reference guide offers basic hand control functions, general care instructions, basic assembly information, warranty information, and weight capacity information for your chair. Before operating the chair, thoroughly read the owner's manual and all other supplemental documents for information on safety, basic operation, and care and maintenance.

The illustrations reflect those hand controls with the highest level of functionality. The hand control you receive may have fewer options, but basic functionality is the same.

The premier feature of the VivaLIFT!™ Power Recliner is that you have the ability to adjust your feet and back independently to achieve your perfect position. For example, the seat back can recline until it is horizontal to the floor. To achieve this, press and hold button "8" (as shown in **figure 1**) until it is fully reclined.

### HAND CONTROL IDENTIFICATION KEY

#### 1. USB PORT

Use to connect to/charge USB enabled devices.

#### 2. HEADREST IN BUTTON

Press and hold to move headrest in.

#### 3. HEADREST OUT BUTTON

Press and hold to move headrest out.

#### 4. LUMBAR SUPPORT IN BUTTON

Press and hold to move lumbar support in.

#### 5. LUMBAR SUPPORT OUT BUTTON

Press and hold to move lumbar support out.

#### 6. UP BUTTON

Press and hold to return all chair power options to the neutral position, while lifting you into an upright position.

#### 7. DOWN BUTTON

Press and hold to lower chair to seated or reclined position.

#### 8. SEATBACK RECLINE BUTTON

Press and hold to recline the seatback.

#### 9. SEATBACK INCLINE BUTTON

Press and hold to raise the seatback.

#### 10. LEGREST UP BUTTON

Press and hold to raise the legrest.

#### 11. LEGREST DOWN BUTTON

Press and hold to lower the legrest.

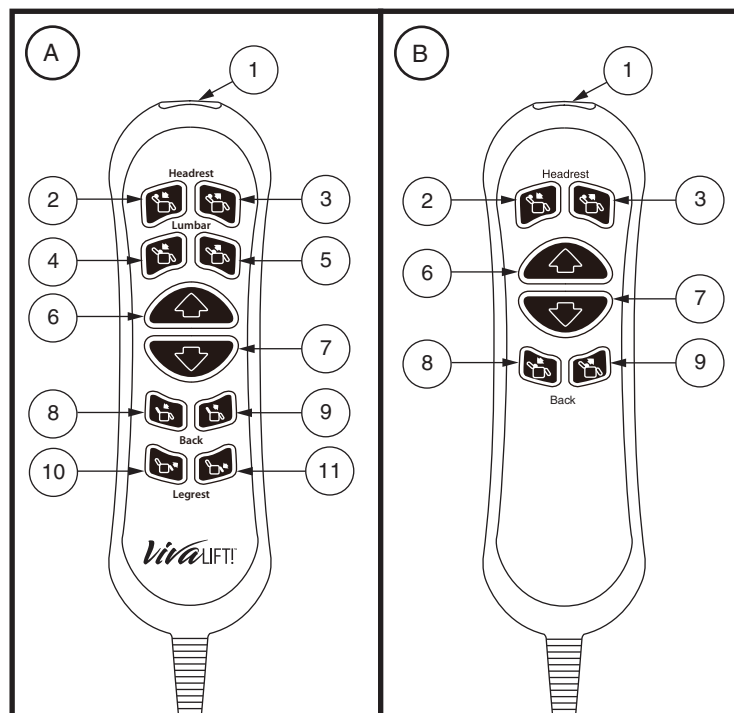


Figure 1. Hand Control - Styles A and B

## FABRIC CARE INSTRUCTIONS

The fabric covering this piece of furniture is very durable for everyday living. Clean only with water-based shampoo or foam upholstery cleaner. Do not over wet. Do not use solvents to spot clean. Lightly scrubbing will help with any tougher spots that may have developed. Always check a small spot of fabric in an area that is unseen to be sure the cleaning agent being used will not discolor or fade the fabric's finishing. Let the chair air dry and vacuum for the best result.

## CHAIR ASSEMBLY

Once the chair has been removed from the box, you'll notice the back is lying on the top of the seat. Follow the steps below:

1. Some models have back wings that attach to the back. When unpacking your chair you will find these back wings packed in the back of the chair base. Unpack the back wings and set them aside for later installation.
2. Locate the plastic bag that contains the power transformer, power cord, and the hand control. This can be done by turning the base over on its arms. You will see the plastic bag tied to the inside of the unit. Carefully cut the ties that hold the bag and remove it. Dispose of the ties and bag properly.
3. Remove the hand control from the plastic bag and connect it to the female plug located in the rear of the chair (**see figure 2**).

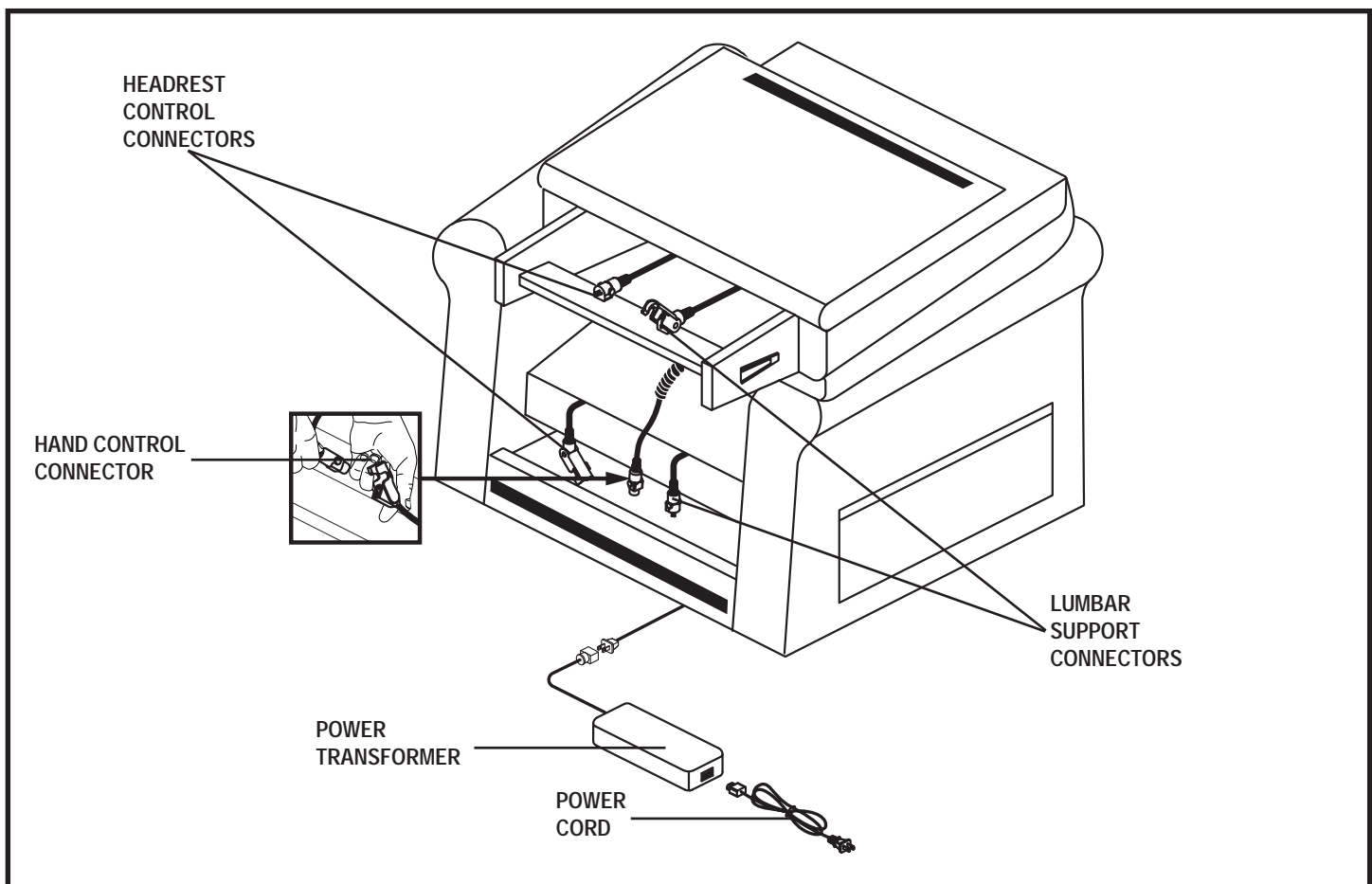


Figure 2. Chair Assembly - Power Transformer, Cords, and Connections

4. To install the back, align the Knock-Down (KD) sleeves in the back with the KD brackets in the chair base, slide the back down on the base. **See figure 3.** Push down on the top of the back to lock the back into position. You will hear a click from each side of the chair to ensure the back is locked in properly.
5. Plug in the Lumbar and Headrest connectors, **See figure 2.** If your model is Headrest Only, you only need to plug in the Headrest.
6. If your model has back wings, align the KD sleeves, and slide the wing down into place, see **figure 4.** Please note there is a label on the brackets. Please assemble them as indicated (1-1 and 2-2).
7. Connect the Power Transformer cable to the corresponding plug coming from the back of the chair, (**see figure 2**).
8. Connect the Power Cord into the Power Transformer (**see figure 2**).
9. Connect the power cord into an electrical outlet near where the chair will be used.

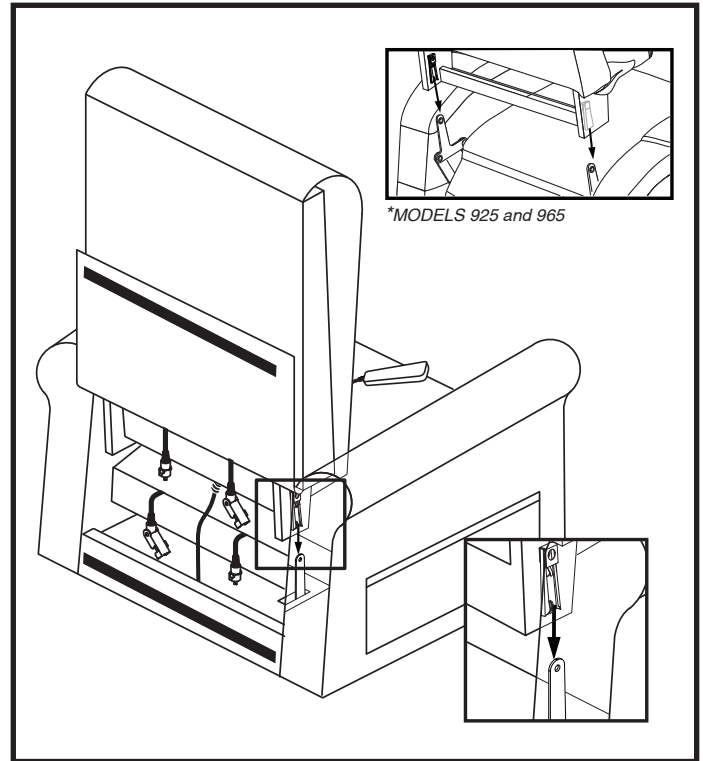


Figure 3. Chair Back Installation

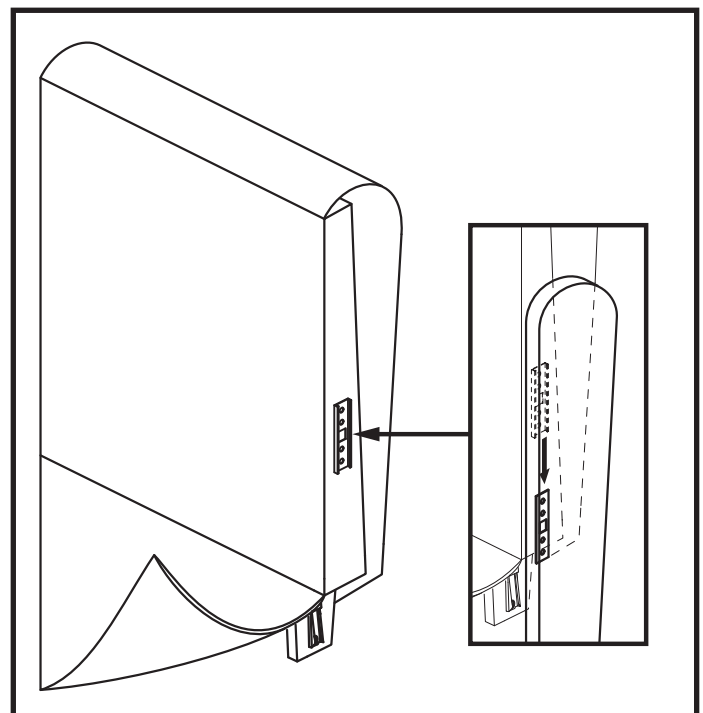


Figure 4. Wing Back Installation

**LIFETIME WARRANTY**

Pride offers a lifetime warranty on the lift and recline mechanisms and chair frame. Pride warrants that the lift and recline mechanisms and chair frame on your lift chair will be free from defects under normal use and service for as long as the chair is in use by the original owner. This lifetime warranty covers the lift and recline mechanisms against metal fatigue, defective welds, and bushings.

***NOTE: Pride reserves the right to replace only the part of the lift and recline mechanism or chair frame that may be defective.***

**SEVEN-YEAR PRO-RATED WARRANTY**

For the first four (4) years from the date of purchase, Pride will repair or replace at our option to the original purchaser any of the following parts found upon examination by an authorized representative of Pride to be defective in material and/or workmanship:

- Motor
- Hand Control
- Transformer/Control Box

For three (3) additional years, a pro-rated warranty will be made available for the following parts:

- Motor
- Hand Control
- Transformer/Control Box

Pride will warrant these components with the following pro-rated schedule:

- **Fifth year:** 25% off suggested retail price
- **Sixth year:** 15% off suggested retail price
- **Seventh year:** 5% off suggested retail price

### WARRANTY EXCLUSIONS

This warranty does not extend to fabric and excludes steel frame chairs.

Pride is not responsible or obligated to pay for labor, service calls, shipping, and/or any other charges incurred for repair of the product. All transportation costs and shipping damage incurred while submitting parts for repair or replacement are the responsibility of the purchaser. Please contact your authorized Pride provider for information on the current cost associated with a service visit.

- Circumstances beyond the control of Pride
- Labor, service calls, shipping, and other charges incurred for repair of the product, unless specifically authorized, IN ADVANCE, by Pride
- Repairs and/or modifications made to any part without specific consent from Pride

### Exclusions also include components with damage caused by:

- Contamination
- Abuse, misuse, accident, or negligence
- Battery fluid spillage or leakage
- Commercial use or use other than normal
- Improper operation, maintenance, or storage

### IMPLIED WARRANTIES

**Implied warranties, including those of merchantability and fitness for a particular purpose, are limited to one (1) year from the date of purchase and to the extent permitted by law. Any and all other implied warranties are excluded.** This is the exclusive remedy. Liabilities for consequential damages under any and all warranties are excluded.

Some states do not allow limitations on how long an implied warranty lasts or do not allow the exclusion or limitation of incidental or consequential damages. The above limitation or exclusion may not apply to you.

This warranty gives you specific rights, and you may also have other rights which vary from state to state.

## WEIGHT CAPACITY

# *Viva*LIFT!™

Your chair was developed for your convenience. See the specification table below for information on weight capacity. Refer to the owner's manual for any additional information concerning your chair.

MODEL	CAPACITY
975, 965, 945, 925	375 lbs. (170 kg)



**MANDATORY!** Stay within the specified weight capacity of your lift chair. Exceeding the weight capacity voids your lift chair warranty.

Rev A/September 2017



I N F I N I T Y B 3 8 3 4