

PRIDE WEATHER COVER INSTALLATION INSTRUCTIONS

ACCCOVR1018 - Scooter Weather Cover, Large, 84"L x 49"H

ACCCOVR1019 - Scooter Weather Cover, Medium, 75.75"L x 46.5"H

ACCCOVR1020 - Scooter Weather Cover, Micro, 61"L x 41.25"H

ACCCOVR1021 - Power Chair Weather Cover, Large, 76"L X 52"H

ACCCOVR1022 - Power Chair Weather Cover, Medium, 67"L X 51"H

ACCCOVR1023 - Power Chair Weather Cover, Micro, 62"L X 46.25"H

If you require any assistance with these instructions, please call **Pride Technical Service** at **1-877-800-1248**.
Canada providers, phone **1-888-570-1113**.

*No tools required for this installation.

Weather Cover Installation for Stationary Storage

1. Drape the weather cover over the mobility device so that the unit is completely covered.
2. Pull the drawstring to secure the weather cover around the bottom of the mobility device.



WARNING! Prevent personal injury and/or equipment damage! Use the drawstring by itself only for stationary storage (such as on a porch or in a garage). Additional securement is necessary if the mobility device will be stored in the back of a vehicle or on an exterior lift system for use in motor vehicle transport.

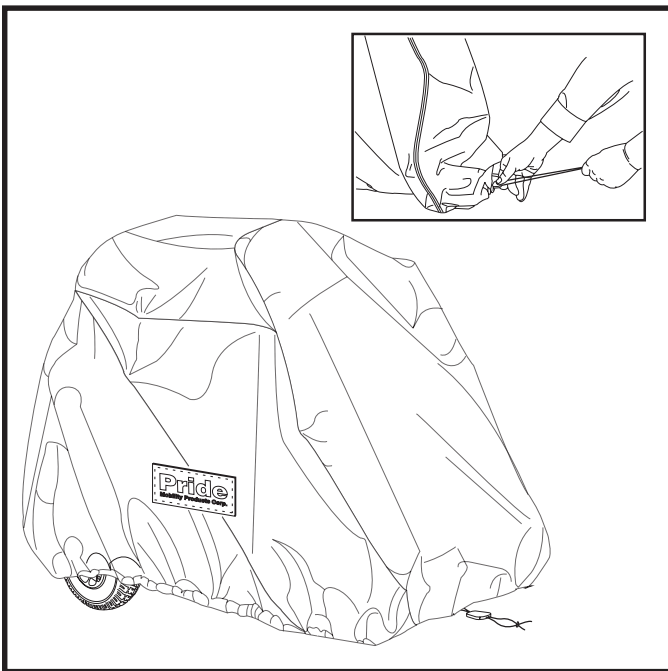


Figure 1. Scooter Weather Cover Installation - Drawstring Securement

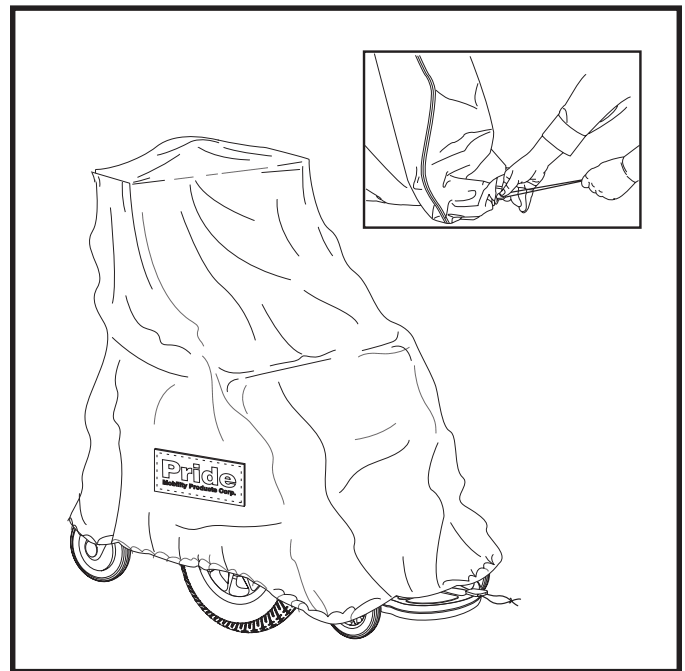


Figure 2. Power Chair Weather Cover Installation - Drawstring Securement

Weather Cover Installation for Motor Vehicle Transport

1. Drape the weather cover over the mobility device so that the unit is completely covered.
2. Pull the drawstring to secure the weather cover around the bottom of the mobility device.
3. Thread a heavy gauge nylon cord through the grommets at the bottom of the weather cover, crisscrossing the cord beneath the mobility device.
4. Secure the ends of the nylon cord to the mobility device.



WARNING! Prevent personal injury and/or product damage! Do not use the drawstring alone to secure the weather cover to the mobility device during motor vehicle transport. The drawstring may loosen and the cover may come off of the unit, creating a hazard for other motorists. Always double secure the weather cover using the drawstring and nylon cord during motor vehicle transport.

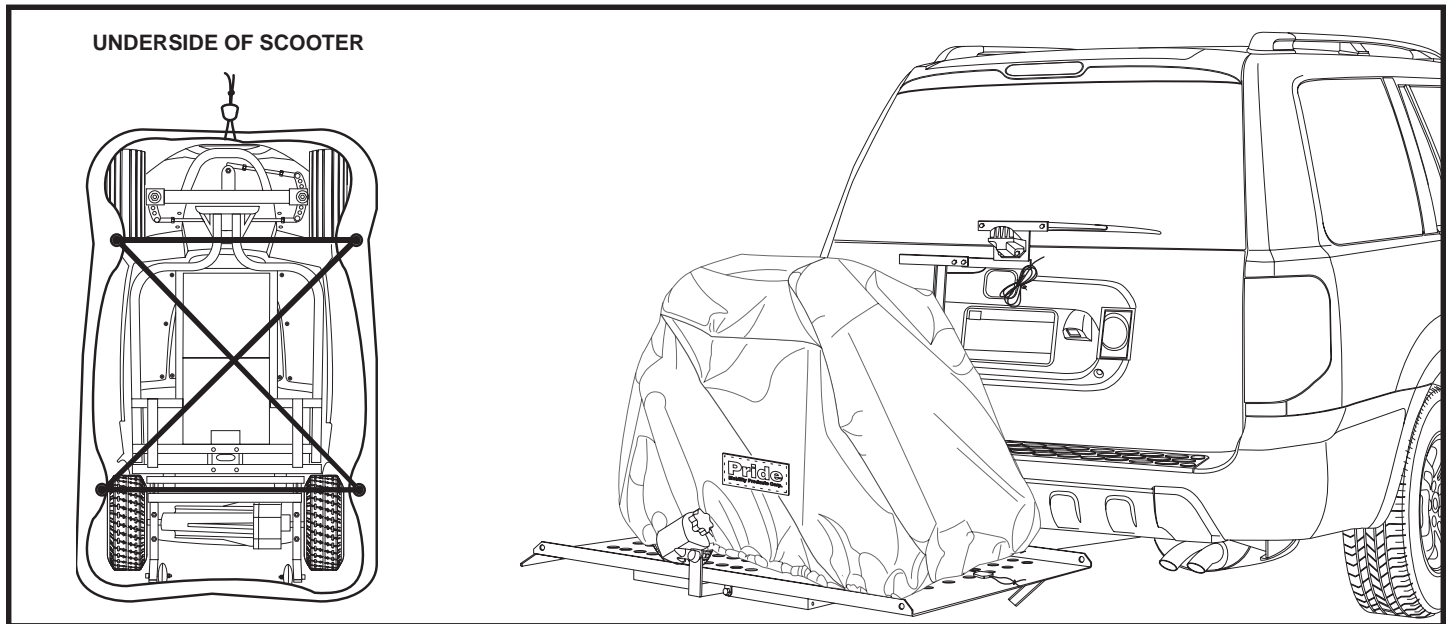


Figure 3. Scooter Weather Cover Installation - Motor Vehicle Transport Securement

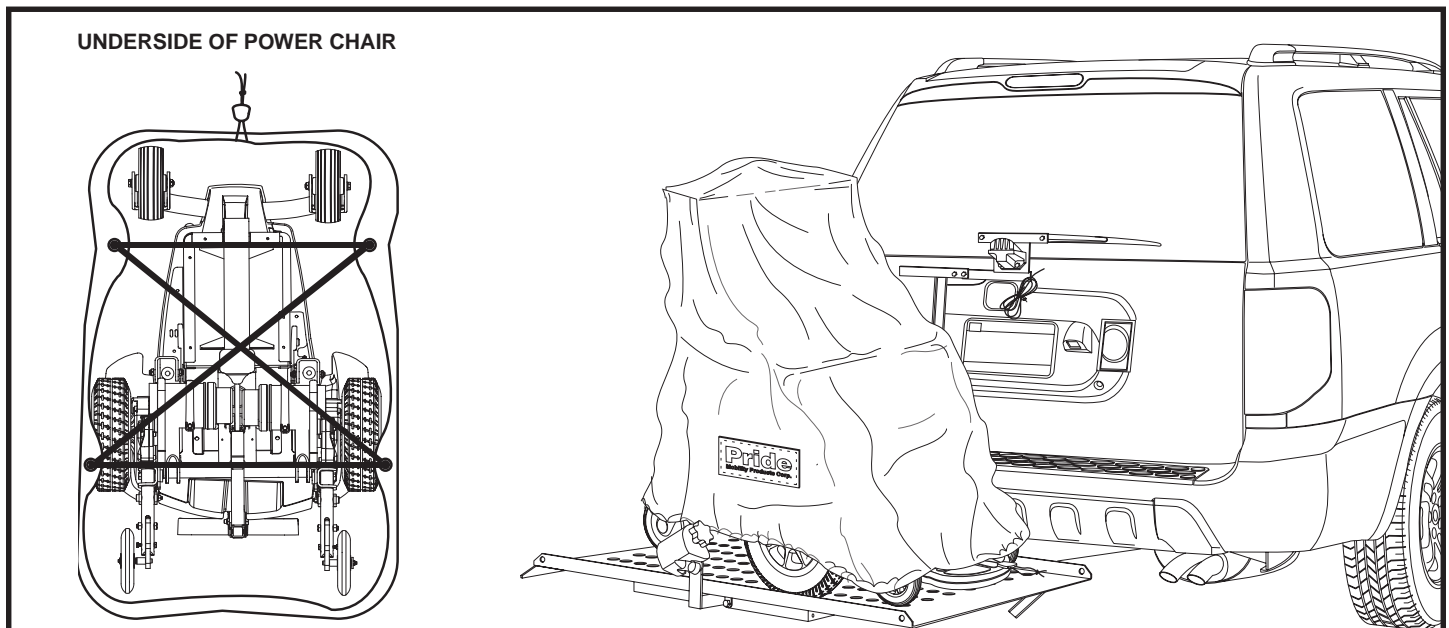


Figure 4. Power Chair Weather Cover Installation - Motor Vehicle Transport Securement